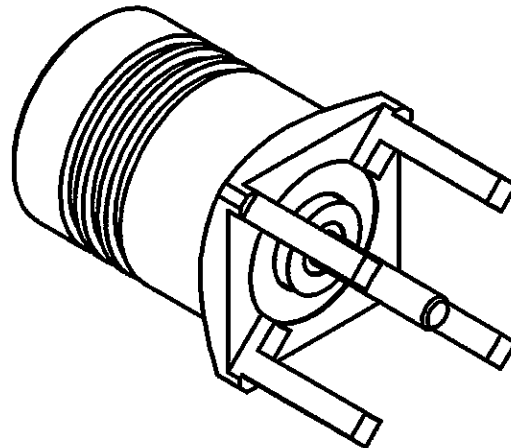
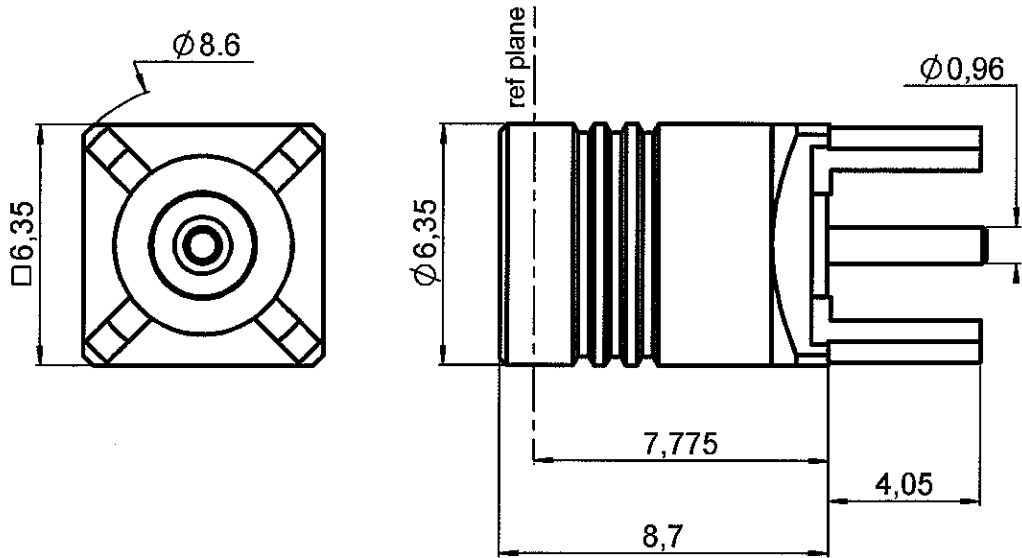


**STRAIGHT PLUG RECEPTACLE FOR PCB**

**R115.427.000**

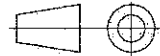
**SOLDER LEGS**

Series : SMB-A



scale:1/1

All dimensions are in mm.



COMPONENTS	MATERIALS	PLATINGS (µm)
BODY	BRASS	GOLD 0.2 OVER NICKEL 2
CENTER CONTACT	BERYLLIUM COPPER	GOLD 1.3 OVER NICKEL 2
OUTER CONTACT	BRASS	GOLD 0.5 OVER NICKEL 2
INSULATOR	PTFE	
GASKET	-	
OTHERS PARTS	-	
-	-	
-	-	

Issue : 0523 Y

In the effort to improve our products, we reserve the right to make changes judged to be necessary.



**STRAIGHT PLUG RECEPTACLE FOR PCB**

**R115.427.000**

**SOLDER LEGS**

Series : SMB-A

**PACKAGING**

**SPECIFICATION**

Standard	Unit	Other
1	-	Contact us

**ELECTRICAL CHARACTERISTICS**

**ENVIRONMENTAL**

Impedance		50 $\Omega$
Frequency		0-4 GHz
VSWR	NA +	0.000 x F(GHz) Maxi
Insertion loss		NA $\sqrt{F}$ (GHz) dB Maxi
RF leakage	-(	NA - F(GHz)) dB Maxi
Voltage rating		335 Veff Maxi
Dielectric withstanding voltage		1000 Veff mini
Insulation resistance		1000 M $\Omega$ mini

Operating temperature	-65/+165 $^{\circ}$ C
Hermetic seal	NA Atm.cm3/s
Panel leakage	NA

**OTHERS CHARACTERISTICS**

Assembly instruction

Others :

**MECHANICAL CHARACTERISTICS**

Center contact retention		
Axial force – Mating end	10	N mini
Axial force – Opposite end	10	N mini
Torque	NA	N.cm mini
Recommended torque		
Mating	NA	N.cm
Panel nut	NA	N.cm
Mating life	500	Cycles mini
Weight	1.593	g

Issue : 0523 Y

In the effort to improve our products, we reserve the right to make changes judged to be necessary.

