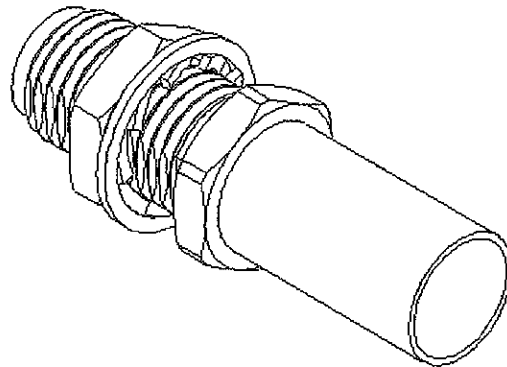
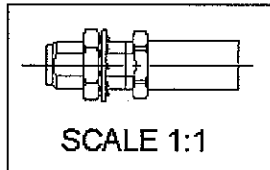
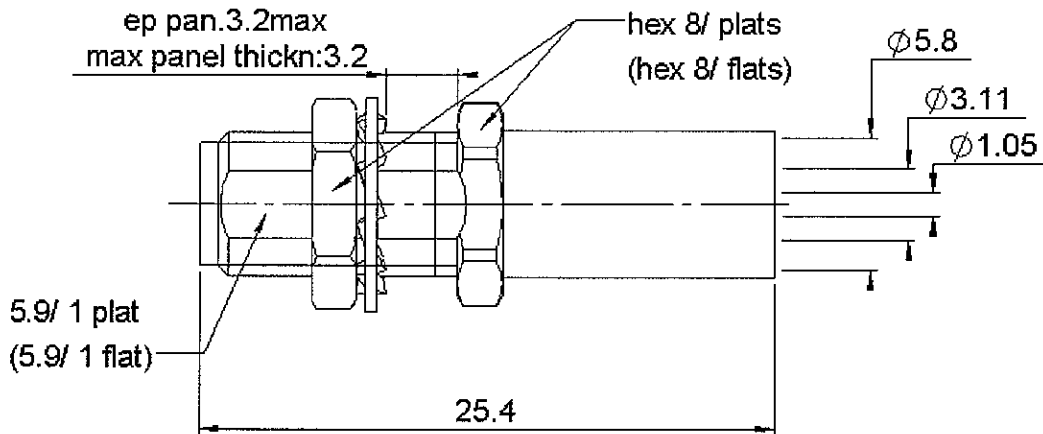


STRAIGHT BULKHEAD JACK FULL CRIMP

R125.315.121

CABLE 5/50 D

Series : SMA

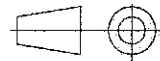


PANEL CUT OUT



mm		
	Maxi	mini
A	6.5	6.4
B	6.15	6

All dimensions are in mm.



COMPONENTS	MATERIALS	PLATINGS (µm)
BODY	STAINLESS STEEL	PASSIVATED .
CENTER CONTACT	BERYLLIUM COPPER	GOLD 1.3 OVER NICKEL 2
OUTER CONTACT	-	-
INSULATOR	PTFE	-
GASKET	-	-
OTHERS PARTS	BRASS	BBR 2
-	-	-
-	-	-

Issue : 0543 B

In the effort to improve our products, we reserve the right to make changes judged to be necessary.



STRAIGHT BULKHEAD JACK FULL CRIMP

R125.315.121

CABLE 5/50 D

Series : SMA

PACKAGING

Standard	Unit	Other
100	'W' option	Contact us

SPECIFICATION

ELECTRICAL CHARACTERISTICS

Impedance		50 Ω
Frequency		0-12.4 GHz
VSWR	1.15 +	0.02 x F(GHz) Maxi
Insertion loss		0.04 √F(GHz) dB Maxi
RF leakage	- (- F(GHz)) dB Maxi
Voltage rating		335 Veff Maxi
Dielectric withstanding voltage		1000 Veff mini
Insulation resistance		5000 MΩ mini

CABLE ASSEMBLY

Stripping	a	b	c	d	e	f
mm	3	6.3	10.8	0	7.8	0

Assembly instruction :

Recommended cable(s)
 RG 223
 RG 142
 RG 400
 KX 23
 RG 142 FTX

Characteristics indicated on this data sheet are those that can be achieved with the highest performance cable. Intrinsic limitations of the cable may diminish the performance of the assembly

Cable retention

- pull off **204** N mini
 - torque - N.cm

MECHANICAL CHARACTERISTICS

Center contact retention		
Axial force – Mating end	18	N mini
Axial force – Opposite end	18	N mini
Torque	NA	N.cm mini

TOOLING

Part Number	Description	Hexagon
R282.293.000	CRIMPING TOOL	
R282.967.012	POSITONER FOR CRIMPING TOOL	
R282.281.000	CRIMPING TOOL	
R282.235.011	CRIMPING DIES	
R282.223.000	CRIMPING TOOL	

Recommended torque		
Mating	NA	N.cm
Panel nut	150	N.cm
Clamp nut	NA	N.cm
A/F clamp nut	0	mm

Mating life	500	Cycles mini
Weight	4.14	g

OTHERS CHARACTERISTICS

ENVIRONMENTAL

Operating temperature	-65/+165	°C
Hermetic seal	NA	Atm.cm3/s
Panel leakage	NA	

Issue : 0543 B

In the effort to improve our products, we reserve the right to make changes judged to be necessary.



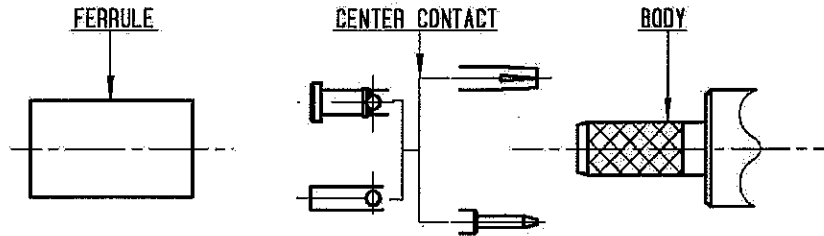
RADIALL®

STRAIGHT BULKHEAD JACK FULL CRIMP

R125.315.121

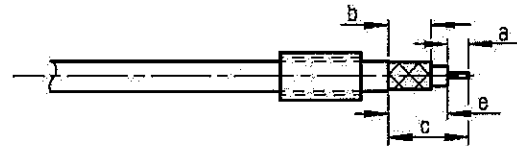
CABLE 5/50 D

Series : SMA



①

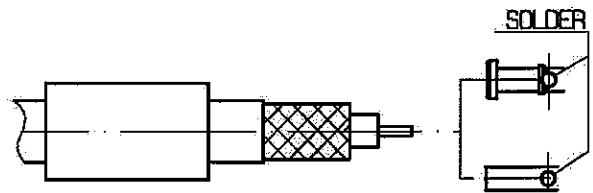
Slide onto the cable the ferrule .
Strip the cable .



Stripping	a	b	c	d	e
inch	0.118	0.248	0.425	0	0.307
mm	3	6.3	10.8		7.8

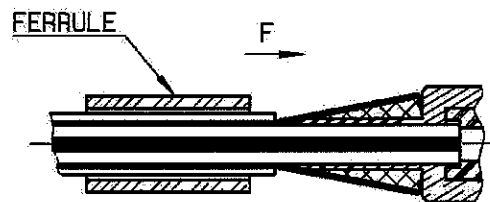
②

Slide center contact on until it bottoms against cable dielectric .
Solder or crimp center contact .
Crimping tool R282.281.000 (2 x 4 pts)
position 7 + positionner R282.967.012



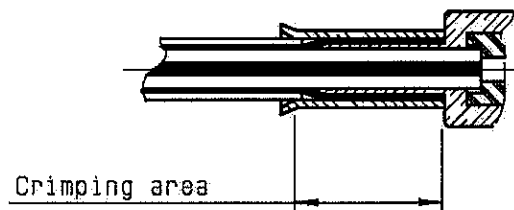
③

Fan the braid .
Slide cable into the body by overtaking the insulator hard mounting point .
Slide ferrule over the braid .
(In direction F)



④

Crimp the ferrule with crimping tool R 282 223 000 (Hex. : .213) or crimping tool R 282 293 000 (M22520/5-01) + dies R 282 235 011 (M22520/5-11)
Cut the excess of braid if necessary.



Issue : 0543 B

In the effort to improve our products, we reserve the right to make changes judged to be necessary.

